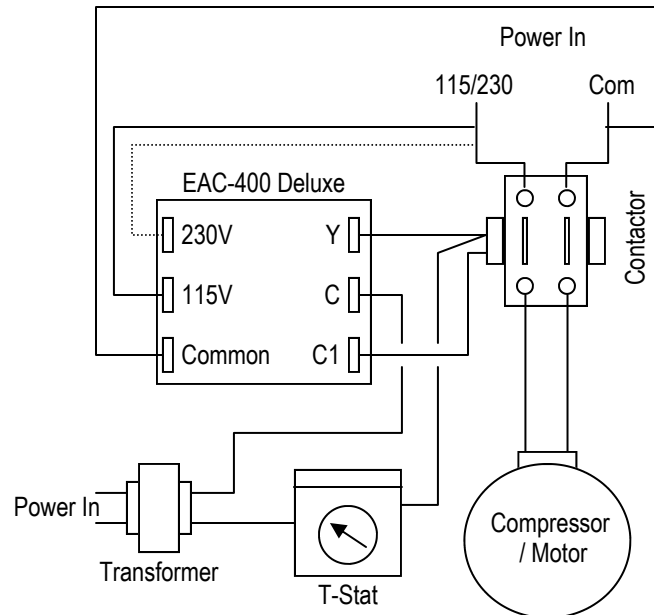


F7744 (EAC-400 Deluxe) Single Phase Motor Protector



Features:

- Adjustable Voltage Range (95-275 VAC)
- Anticipator for 24 VAC Controls
- Control Voltage 24, 115 or 230 VAC
- Adjustable Delay-On-Break Timer (6 seconds to 5 minutes)
- Load Energized Indicator Lamp
- Protects Single Phase Motors and Compressors from operating out of the rated voltage range.
- Prevents Short Cycling Due to repeated thermostat switch and momentary power interruptions.

Operation:

The EAC -400 Deluxe is designed to operated in HVAC units, keeping them from working at abnormal voltage ranges, based on customer settings. The EAC-400 Deluxe protects single-phase motors and compressors from short cycling due to repeated thermostat switching and/or momentary power interruptions. The unit has two input tabs which determine the voltage range for operation, (115 or 230 V) and a knob for voltage adjustment which determines the limits of variation for the power supply. See above diagram for typical installation.

The EAC-400 Deluxe has a built-in delay on make (DOB) circuit set at 5 seconds $\pm 20\%$ to guarantee no operation during transitory periods where the voltage may reach normal conditions and eventually energize the load for a brief period of time. The delay on break works as a time guard to the loads and may vary according to the adjustment from 6 seconds up to 5 minutes $\pm 20\%$, allowing the pressures in the system to equalize after a running period.

The control voltage is permanently monitored and it's presence is necessary to make the output function.

3/4/2010