

# SHUT OFF VALVES

Forged Steel



Suitable for Ammonia



Type 7761



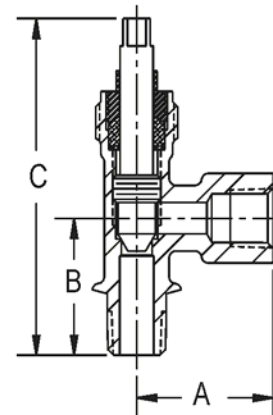
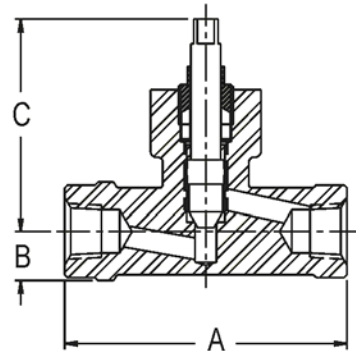
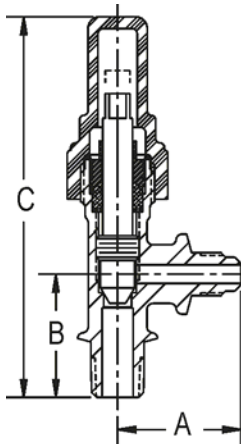
Type 957



Type 965-967

**Features:**

- Forged Steel Bodies
- Seal Caps: Molded Valox
- Stems: plated steel black oxidized
- Temperature Range: -20°F(-29°C) to +300°F(+149°C)
- Maximum cold working pressure: 1000 PSI (70.3 Kg/cm<sup>2</sup>)
- Suitable for ammonia and other industrial fluids non-corrosive to steel



Type	Catalog Number	Size Connection	Dimensions in Inches			Weight lbs.
			A	B	C	
Seal Cap	7761	1/4 M.P.T. X 1/4 FL.	1.06	1.06	2.38	.50
Seal Cap	7771	1/4 M.P.T. X 1/4 F.P.T.	1.06	1.06	2.38	.50
Seal Cap	7771E*	1/4 M.P.T. X 1/4 F.P.T.	1.06	5.00	2.66	.75
Seal Cap	7772	1/4 F.P.T.	1.06	1.06	2.38	.50
Seal Cap	7773	3/8 M.P.T. X 3/8 F.P.T.	1.50	1.50	2.63	.75
Seal Cap	7774	3/8 F.P.T.	1.50	1.50	2.63	.75
Seal Cap	7775	1/2 M.P.T. X 1/2 F.P.T.	1.50	1.50	2.63	.75
Globe	957	1/4 F.P.T.	1.75	.50	2.63	.50
Angle	965	1/4 M.P.T. X 1/4 F.P.T.	1.06	1.06	2.13	.50
Angle	967	1/4 F.P.T.	1.06	1.06	2.13	.50

\* Extended inlet valve