

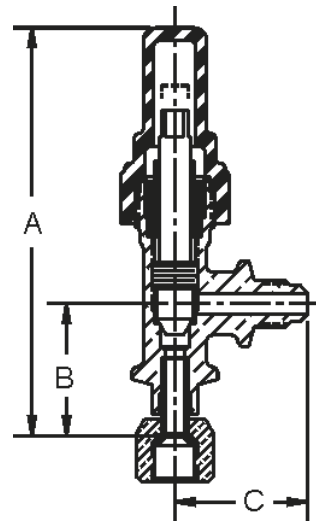
SWIVEL VALVES

Angle Type



Features:

- Forged brass body, plated steel stem and molded valox
- seal cap, brass flare caps
- **Temperature rating:** -20°F (-29°C) to +300°F (+149°C)
- **Maximum working pressure:** 500 PSI, (34.5 Bar)
- **Suitable for refrigerants** and other industrial fluids.
Non-corrosive to brass and steel



Catalog Number	Size Connection		Dimensions in Inches			Weight lbs.
	Side	Bottom	A	B	C	
9240	1/4" Male Flare	1/4" Female Flare	4.13	1.25	1.50	.30
9241	3/8" Male Flare	3/8" Female Flare	4.13	1.25	1.50	.44