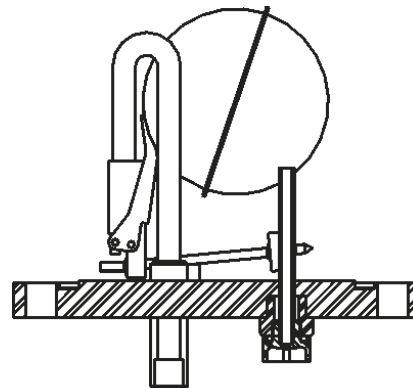




The A-1900-30 Replacement Float Assembly is used on the S-5200 & S-1900 series Oil Separators, and the A-5700-30 is used on the S-5700 series Oil Separators. Both Replacement Assemblies include the gasket which can also be ordered separately (Part Number 2-023-001). The S-5700 series screen cartridge can also be ordered as a replacement part (Part Number 3-010-301). A 3/8" ODS oil return connection is available by ordering with an "X" suffix (i.e. A-1900-30X). The A-5000-30 Replacement Float Assembly is used on the S-5800 series Oil Separators. The Replacement Assembly includes the gasket (Part Number 2-023-001).

Oil Separators

A-1900-30 A-5700-30



A-5000-30

